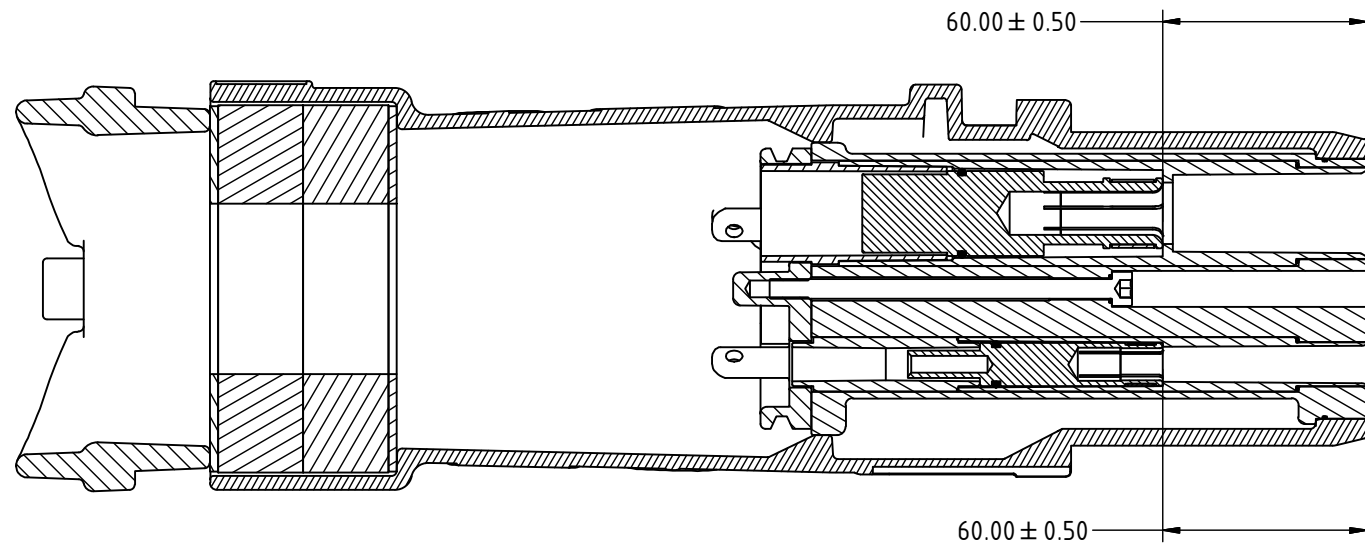
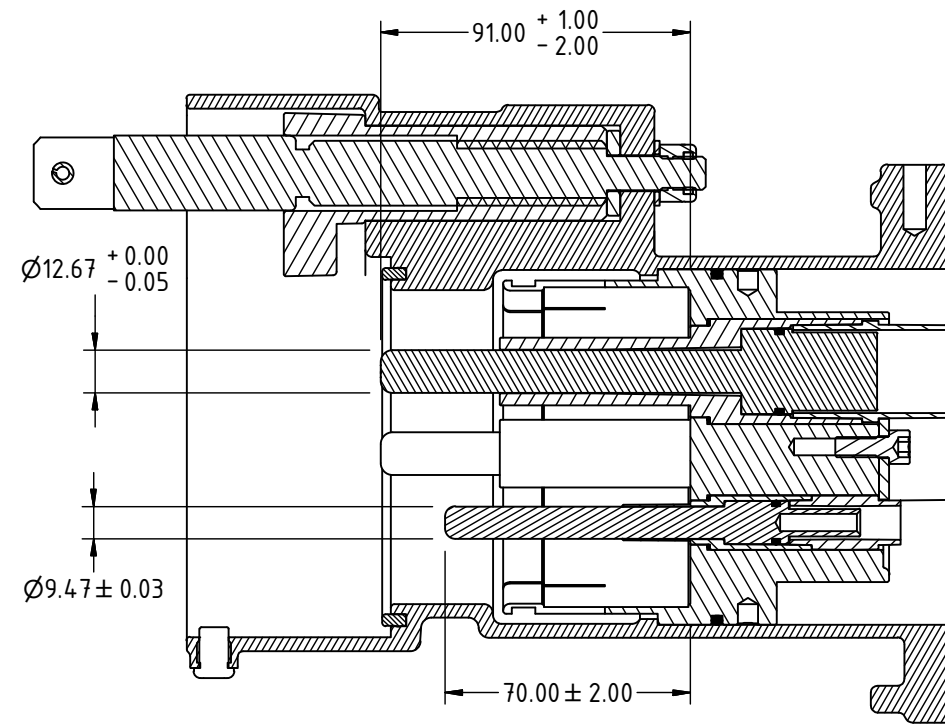


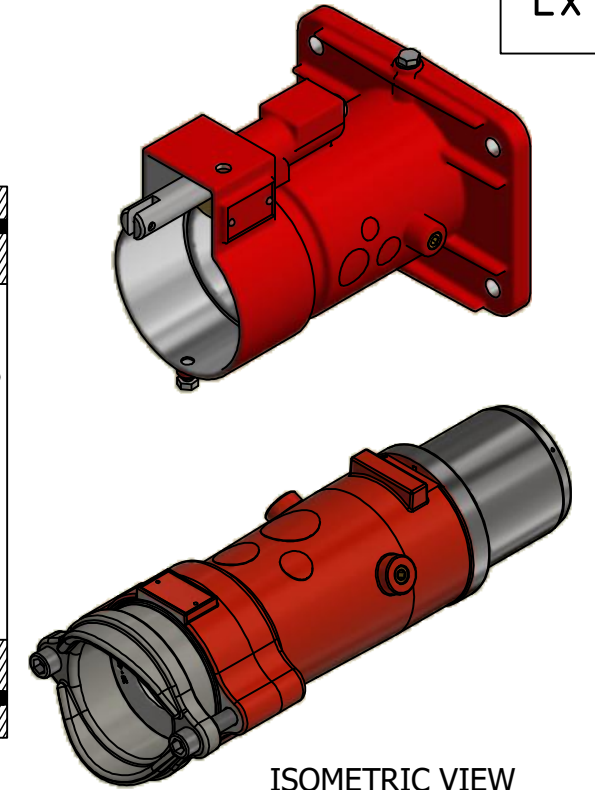
Ex



SECTION VIEW  
PLUG - 3300V 300A 4 PIN

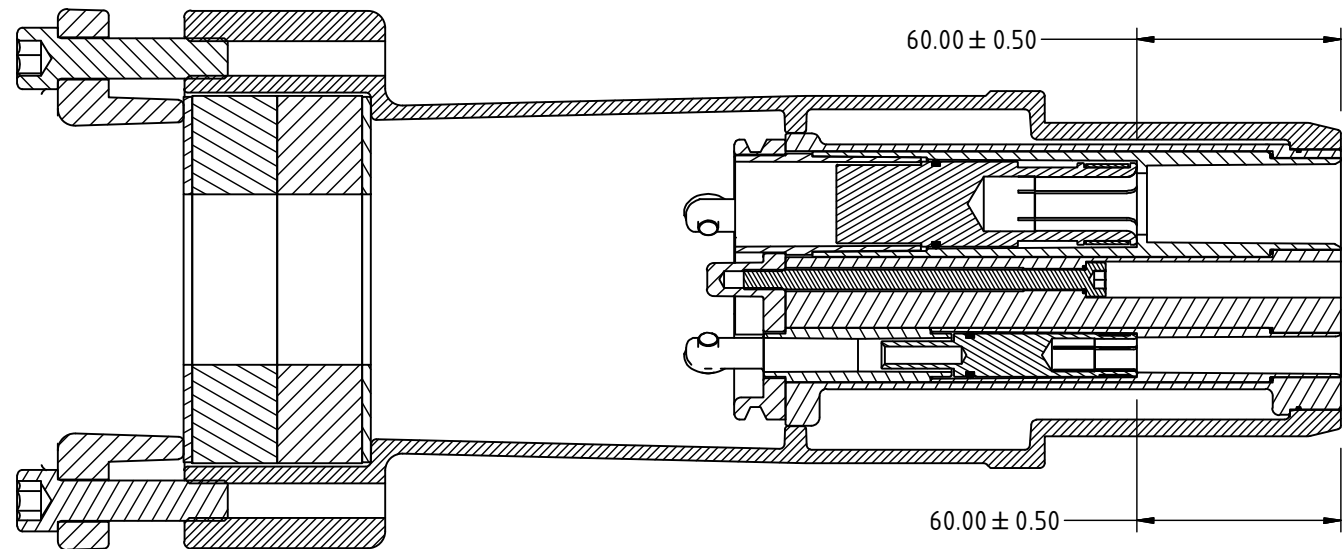


SECTION VIEW  
RECEPTACLE - 3300V 300A 4 PIN

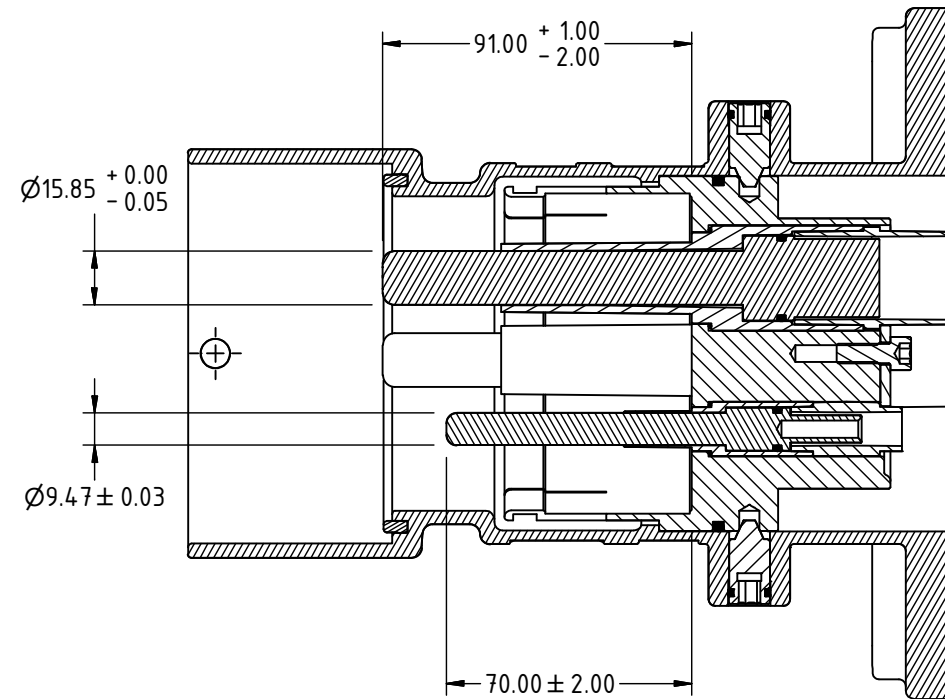


ISOMETRIC VIEW  
PLUG & RECEPTACLE  
3300V 300A 4 PIN

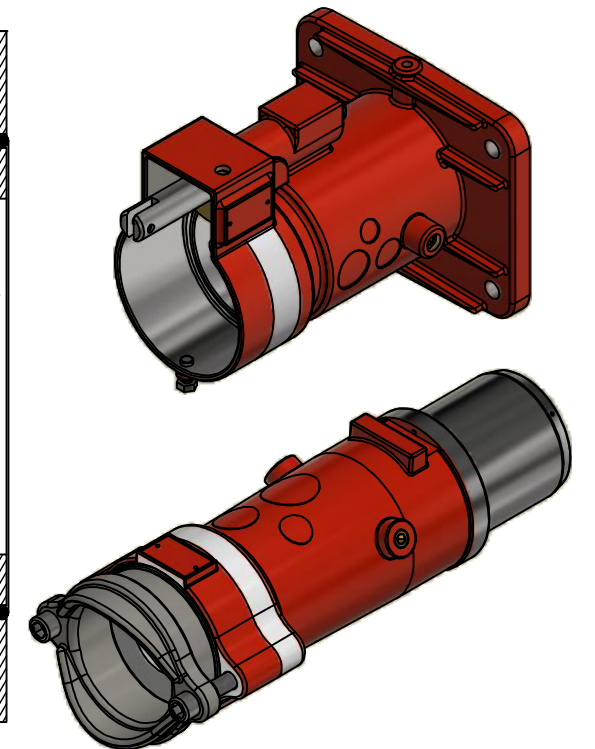
Ex



SECTION VIEW  
PLUG - 3300V 425A 4 PIN



SECTION VIEW  
RECEPTACLE - 3300V 425A 4 PIN



ISOMETRIC VIEW  
PLUG & RECEPTACLE  
3300V 425A 4 PIN

AUSPROOF PTY LTD

© COPYRIGHT RESERVED

DRAWN BY

A.Castle

APPROVED BY

C.Taylor

SIZE

A3

DRAWING NUMBER

ExRPR300M2-PIN  
LENGTHS

PRODUCT NAME

300 PHASE & PILOT  
LENGTHS 3300V 4P

0

REVISION NUMBER

10/07/2023

REVISION DATE

A.Castle

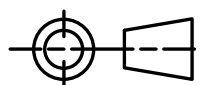
REVISION BY

CONTACT DETAILS

REVISION DESCRIPTION

DIMENSIONS (Metric-millimetre-mm)  
UNLESS OTHERWISE SPECIFIED

X.X 0.1  
X.XX 0.05



ALL SURFACES TO  
UNLESS OTHERWISE NOTED