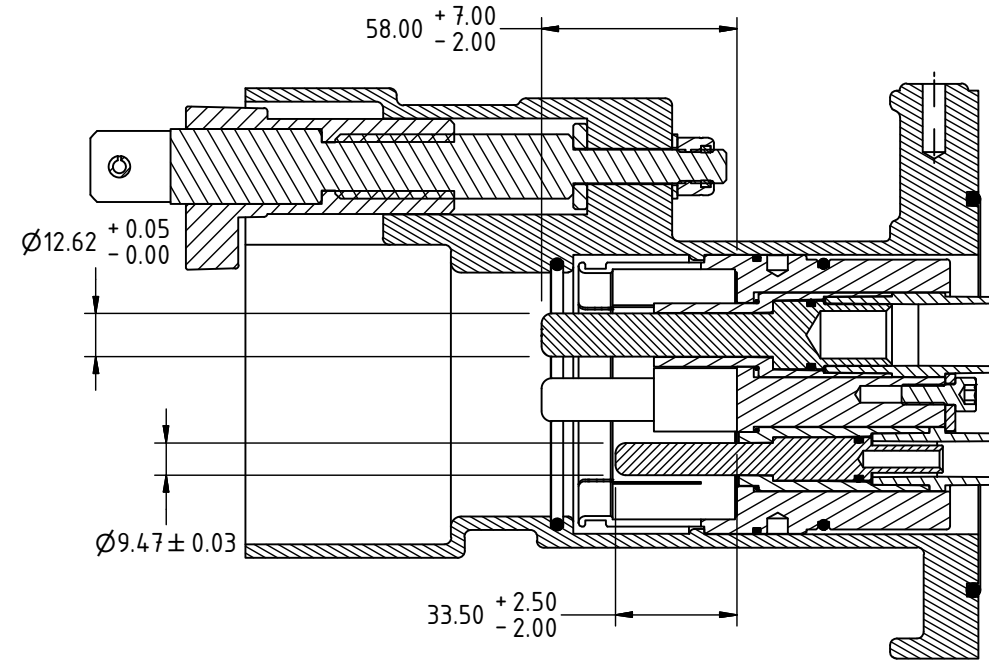
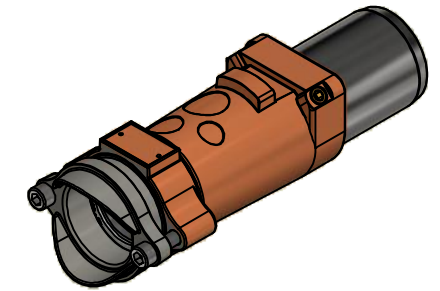
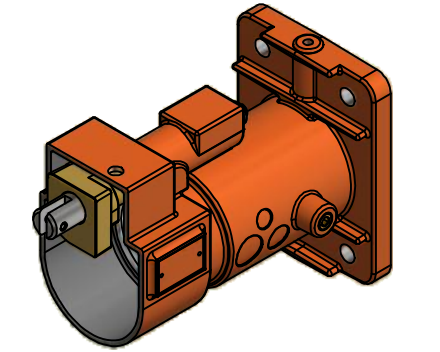


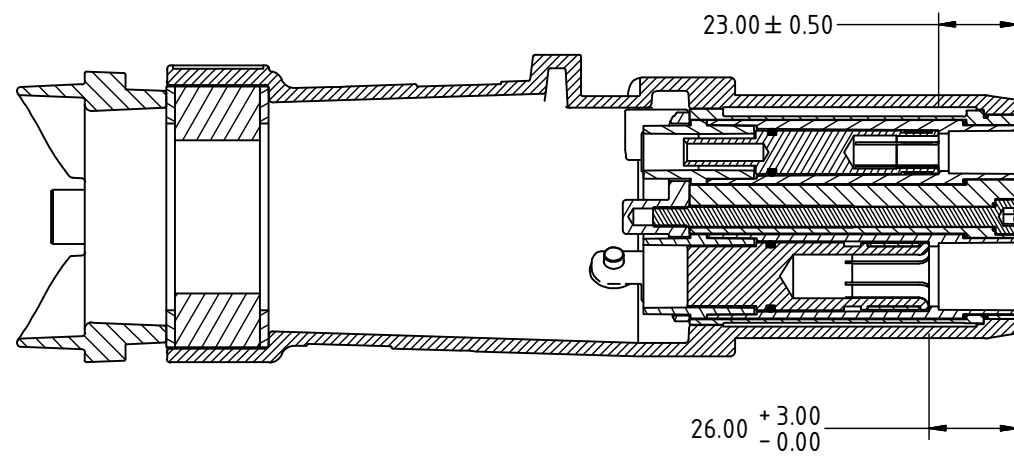
SECTION VIEW  
PLUG - 660V 150A 4 PIN



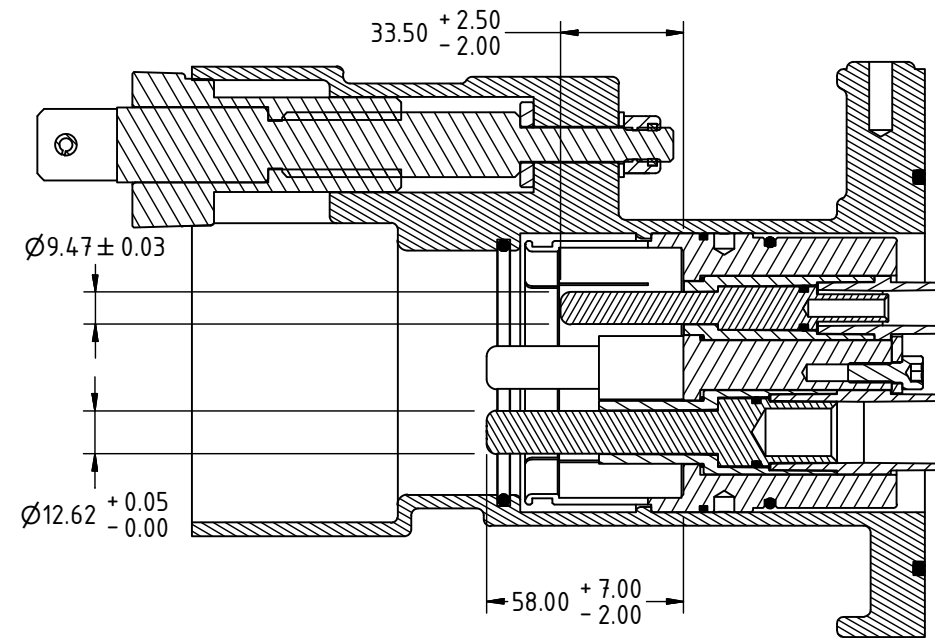
SECTION VIEW  
RECEPTACLE - 660V 150A 4 PIN



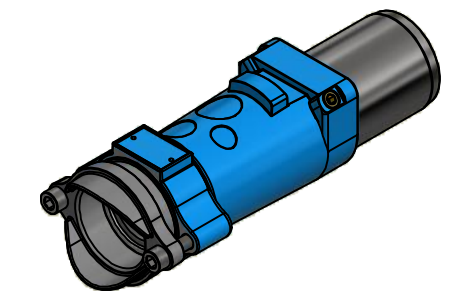
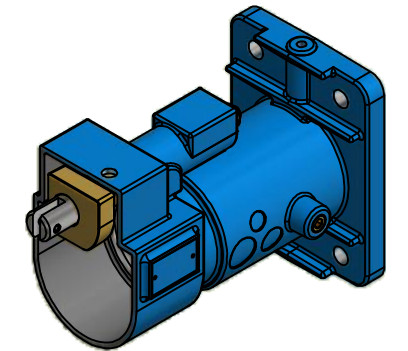
ISOMETRIC VIEW  
PLUG & RECEPTACLE  
660V 150A 4 PIN



SECTION VIEW  
PLUG - 1100V 150A 4 PIN



SECTION VIEW  
RECEPTACLE - 1100V 150A 4 PIN



ISOMETRIC VIEW  
PLUG & RECEPTACLE  
1100V 150A 4 PIN

AUSPROOF PTY LTD

© COPYRIGHT RESERVED

DRAWN BY  
A.Castle

APPROVED BY  
C.Taylor

SIZE  
A3

DRAWING NUMBER  
PS/AS - PIN  
LENGTHS

PRODUCT NAME  
150 PHASE & PILOT  
LENGTHS

0	10/07/2023	A.Castle
REVISION NUMBER	REVISION DATE	REVISION BY

CONTACT DETAILS

REVISION DESCRIPTION

DIMENSIONS (Metric-millimetre-mm)  
UNLESS OTHERWISE SPECIFIED  
ALL SURFACES TO  
UNLESS OTHERWISE NOTED

X.X 0.1  
X.XX 0.05

